



Doran LED Rectangular Marker Light

#9143 Amber Rectangular Marker Light

#9144 Red Rectangular Marker Light

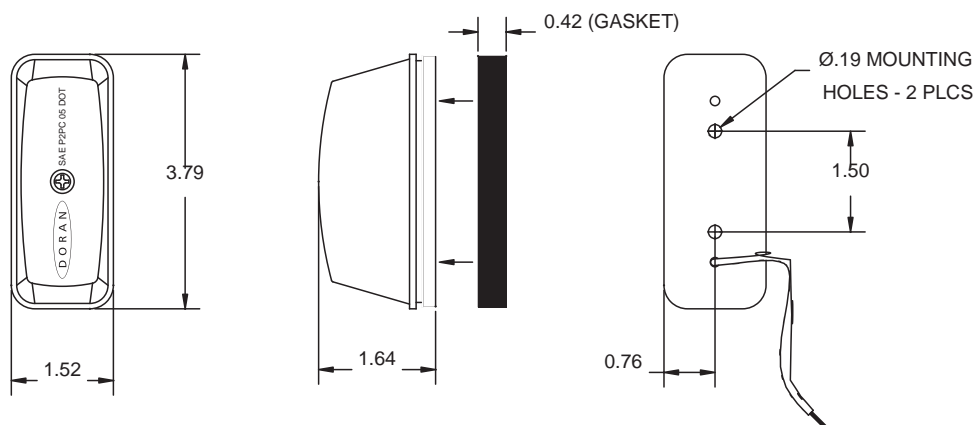
- Potted electronics to resist corrosion, moisture & vibration
- Direct replacement for most incandescent rectangular marker lights (including Weldon 5000)
- Meets FMVSS108 SAE P2 PC05 DOT requirements
- Self grounding one wire design



Part# 9143
(Amber)



Part# 9144
(Red)



Material Specifications:

- Eight high-output Long life LED's
- Quality foam replacement gasket included